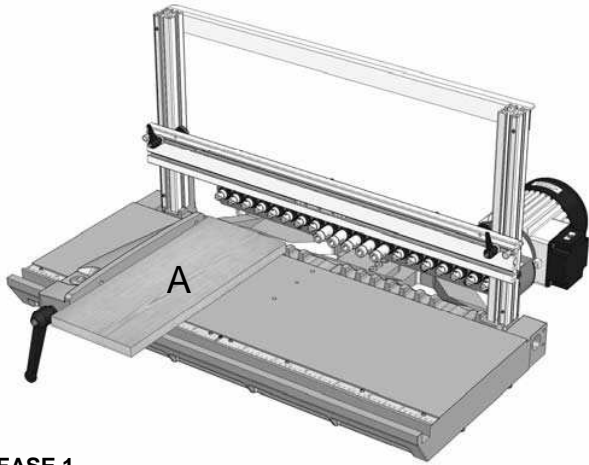
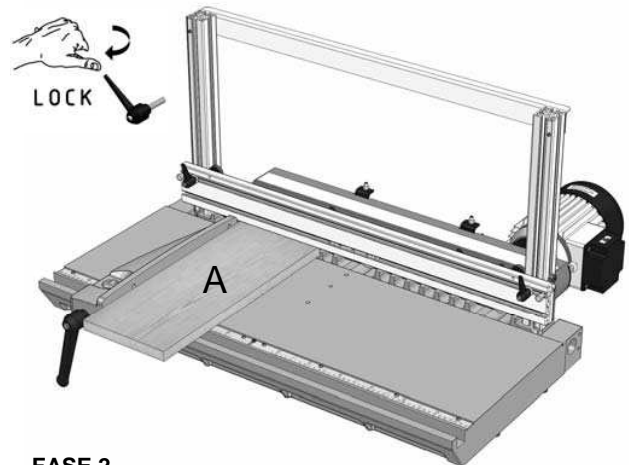


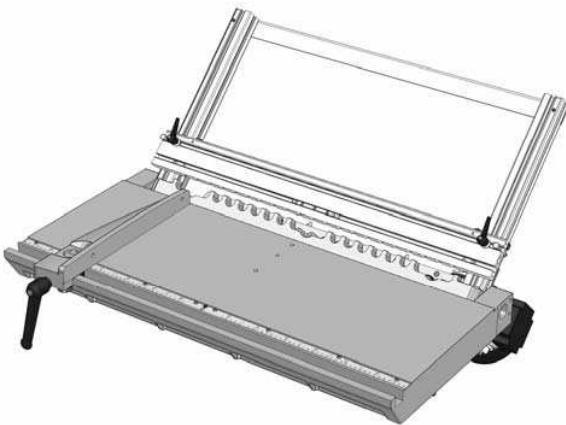
EXAMPLES OF AUTOMATIC MATING OF VERTICALLY AND HORIZONTALLY DRILLED PANELS



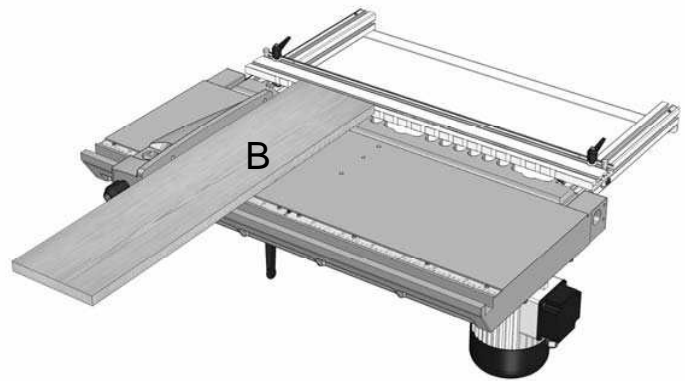
FASE 1



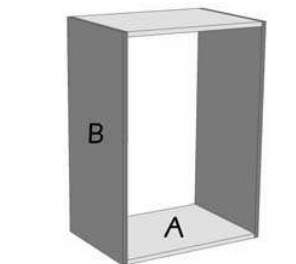
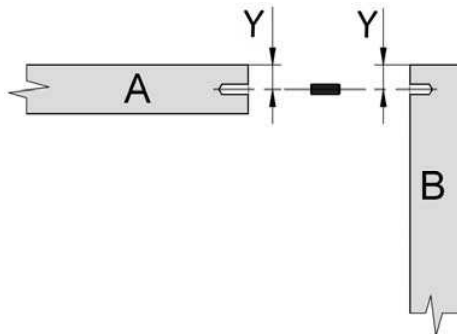
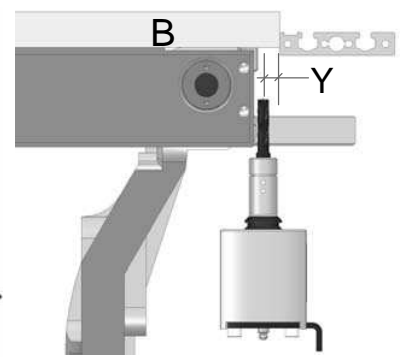
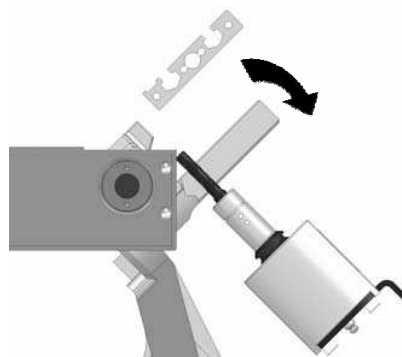
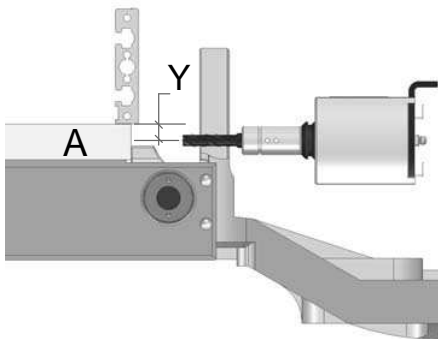
FASE 2



FASE 3



FASE 4



Reference assembling